

KFC-P306

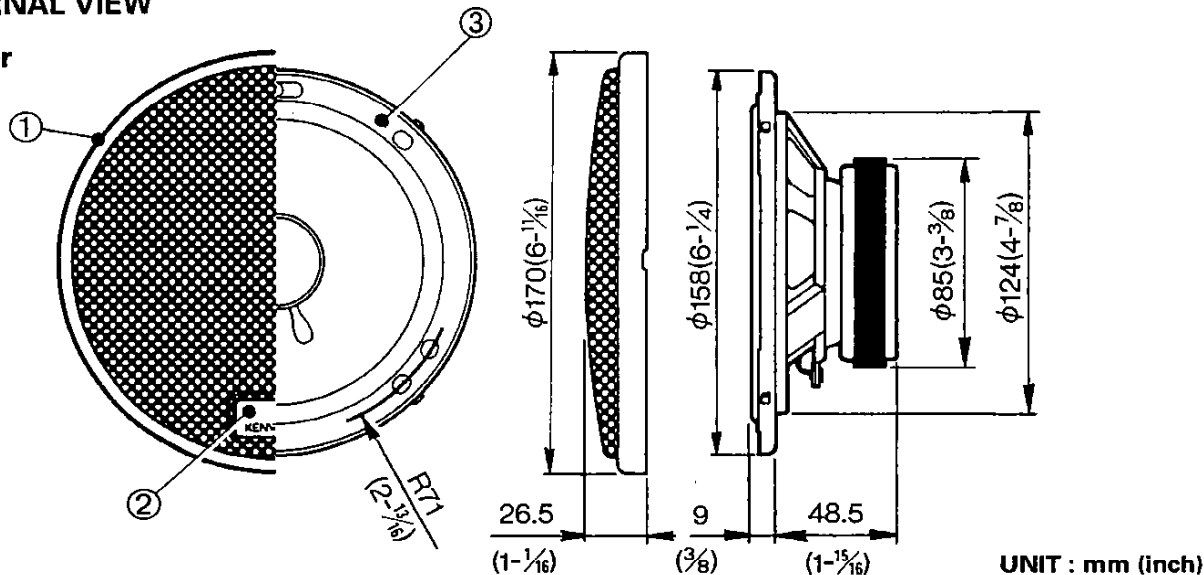
SERVICE MANUAL

KENWOOD

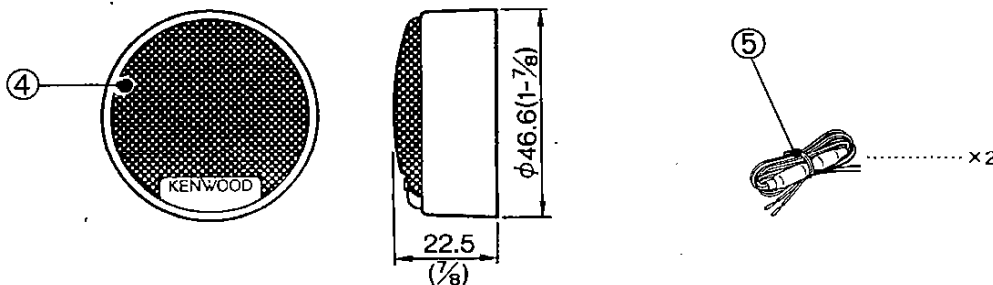
© 1994-3 PRINTED IN JAPAN
B51-6702-00(N) 1253

EXTERNAL VIEW

Woofer



Tweeter



SPECIFICATIONS

| | |
|--------------------------------|---------------------------------------|
| Woofer | 160mm (6in) Sheet P.P. Cone Type |
| | 275g (9.7oz) Magnet |
| Tweeter | 25mm (1in) P.P.T.A Balanced Dome Type |
| Peak power | 150Watts |
| Frequency Response | 50Hz~20,000Hz |
| Sensitivity | 90dB/W at 1m |
| Impedance | 4 Ohms |
| Weight Per Speaker with Grille | |
| Woofer | 2,000g (4.4lb)/Pair |
| Tweeter | 140g (5 oz)/Pair |
| Passive Crossover Network | |
| Crossover Frequency | 6,000Hz |

PARTS LIST

*New parts
Parts without **Parts No.** are not supplied.
Les articles non mentionnés dans le **Parts No.** ne sont pas fournis.
Teile ohne **Parts No.** werden nicht geliefert.

| Ref No. | New Parts | Parts No. | Description |
|---------|-----------|-------------|-------------|
| ① | * | B06-0848-08 | GRILLE SET |
| ② | * | B43-0934-08 | BADGE SET |
| ⑤ | * | L75-2050-08 | NETWORK |
| - | * | N99-1277-08 | SCREW SET |
| ④ | * | T03-0467-08 | TWEETER |
| ③ | * | T10-0634-08 | WOOFER |

We follow a policy of advancements in development. For this reason specifications may be changed without notice.